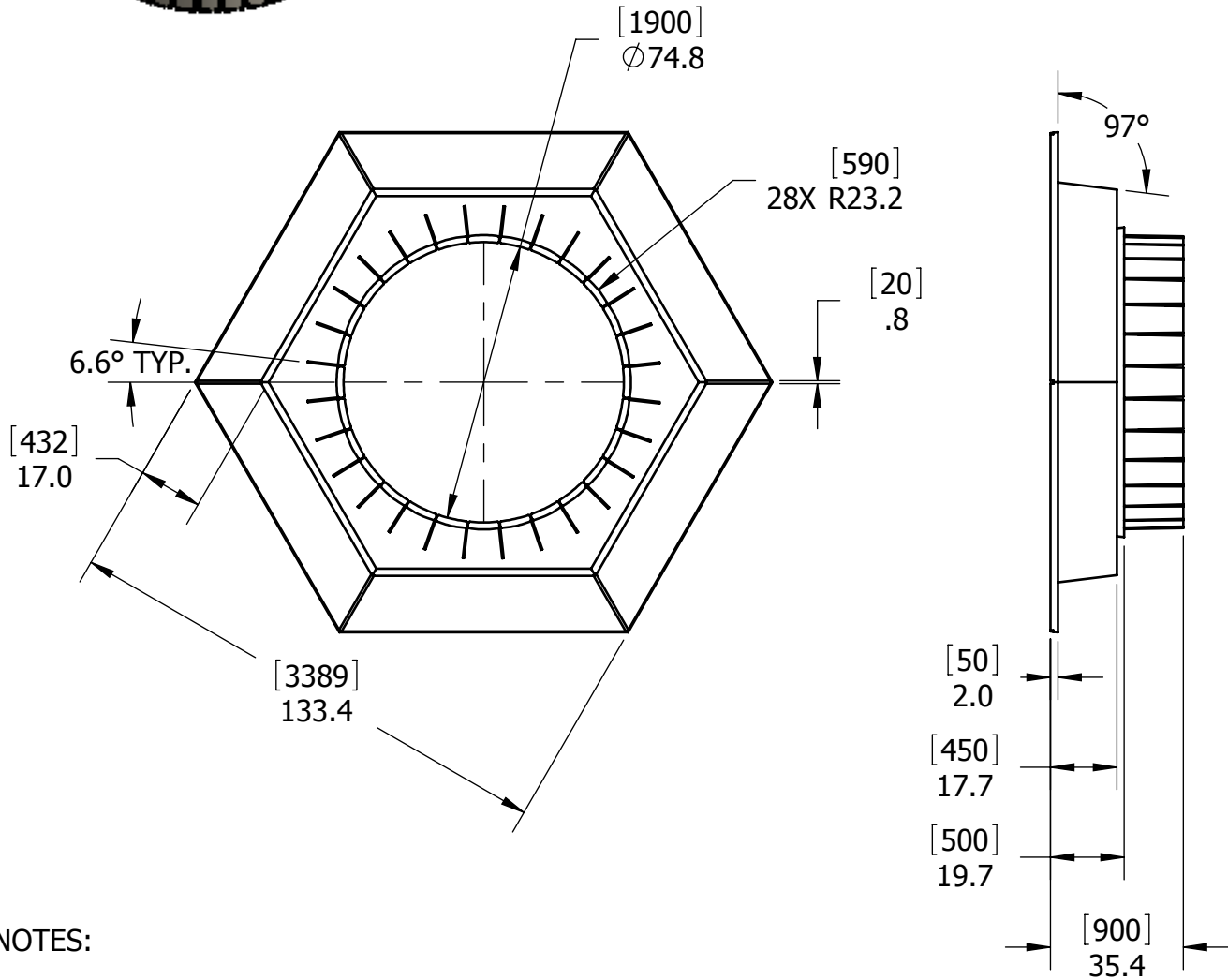
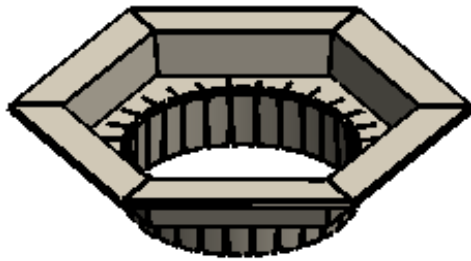


REVISIONS					
REV	EWO/ECO	DESCRIPTION	REVISED	APPROVED	DATE
A	-	PRODUCTION RELEASE	AEA	DV	7/7/2010



**NOTES:**

1. MATERIAL: LASER SINTERED UNOBTANIUM
2. FINISH: CARBON NANODIZE

UNLESS OTHERWISE SPECIFIED  
DIMENSIONS ARE IN INCHES [MILLIMETERS]  
TOLERANCES:

ANGLES $\pm 1^\circ$	DECIMALS 1 PLACE $\pm .06$ 2 PLACE $\pm .02$ 3 PLACE $\pm .005$ 4 PLACE $\pm .0005$
-------------------------	---

THIRD ANGLE PROJECTION

DRAWN TO ASME Y14.5M-1994  
BREAK SHARP EDGES .015 MAX  
DO NOT SCALE DRAWING



**A very Swell Idea, Inc.**

KENYON, MN 55946, USA  
WWW.AVERYSWELLIDEA.COM

CAD SERVICES  
PRODUCT DEVELOPMENT  
EDUCATIONAL PROGRAMS

NOTICE: The data in this document incorporates proprietary rights of A very Swell Idea, Inc. Any party accepting this document does so in confidence and agrees that it shall not be duplicated in whole or in part, nor disclosed to others, without the written consent of A very Swell Idea, Inc.

TITLE  
**EXHAUST PORT**

D.V. APPROVAL DV	DATE 7/7/2010	SIZE A	DRAWING NUMBER 84848	REV A
DESIGNED BY AEA	DATE 7/7/2010	SCALE 1:48	WEIGHT 5020.7396	SHEET 1 OF 1
DRAWN BY AEA	DATE 7/7/2010			